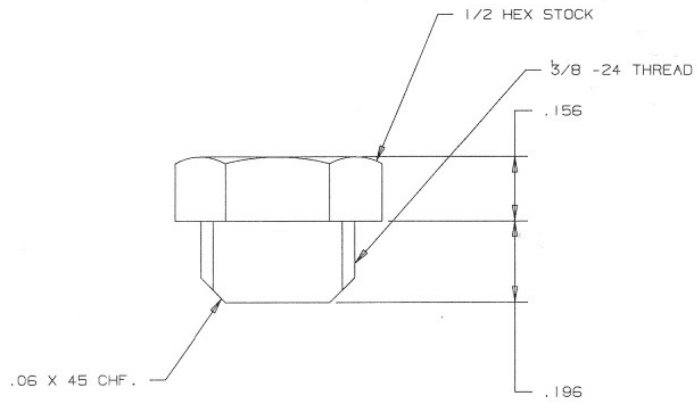


1/8 PIPE X 1/4 OR 5/16 TUBE
 BRASS COMPRESSION FITTING
 CUT IN HALF AS SHOWN

MATERIAL: BRASS

| | | | |
|--|----|----------|--------|
| PIKE LAKE & EASTERN Hartford Shops | | | |
| DWN | TA | DATE | SCALE |
| | | 11-24-97 | N.S. |
| ORD | | DATE | DWG |
| | | | |
| TITLE | | | NO. |
| CHECK VALVE BODY | | | MP-148 |

| | | | | | |
|-----|-----|----------|----|------|--|
| | | | | | |
| | | | | | |
| | | | | | |
| SYM | ECO | REVISION | BY | DATE | |



ADJUST THIS DIMENSION FOR .020 TO .030 BALL LIFT

DO NOT SCALE DRAWING
 TOLERANCES
 UNLESS OTHERWISE SPECIFIED:
 ANGLES $\pm 1^\circ$
 DECIMALS: (3 PLACE) $\pm .005$
 (2 PLACE) $\pm .015$

MATERIAL: BRASS

PIKE LAKE & EASTERN
 Hartford Shops

| | | | | | | | | | | | | |
|-----|-----|--|----------|----|-----------------|----|------|----------|------|--|-------|--------|
| | | | | | DWN | TA | DATE | 11-24-97 | FILE | | SCALE | N.S. |
| | | | | | CKD | | DATE | | DWG | | | |
| | | | | | TITLE | | | | | | | NO. |
| | | | | | CHECK VALVE CAP | | | | | | | MP-149 |
| SYM | ECO | | REVISION | BY | DATE | | | | | | | |