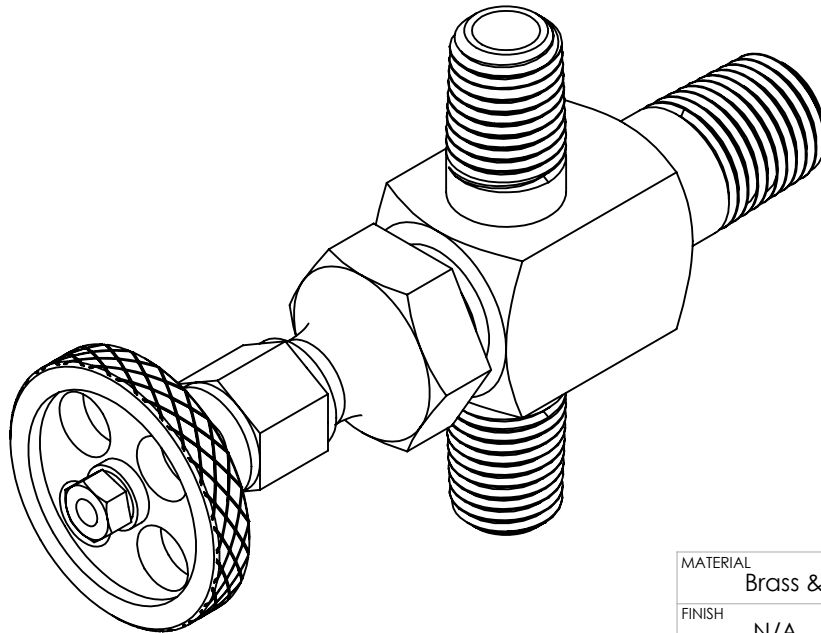
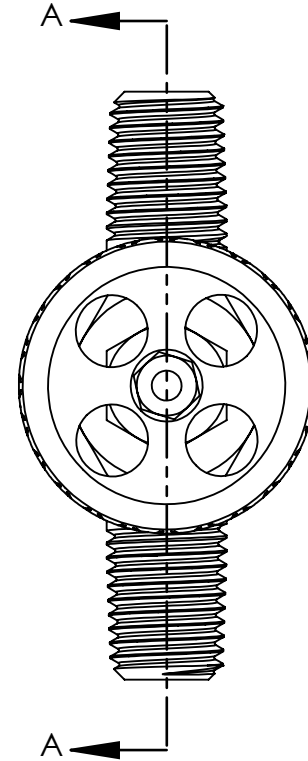
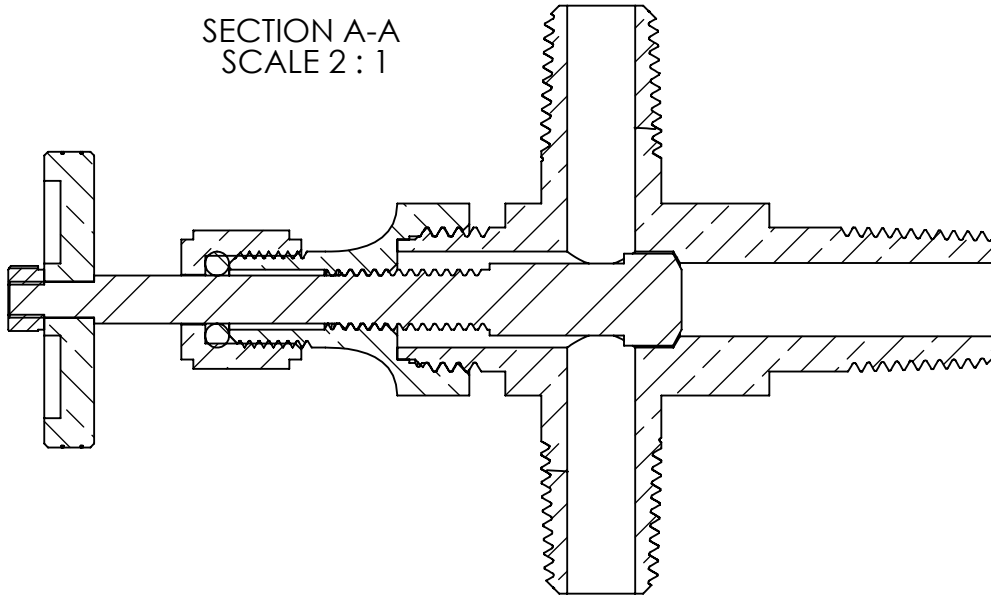


SECTION A-A
SCALE 2:1



MATERIAL	Brass & Stainless
FINISH	N/A
DO NOT SCALE DRAWING	

	NAME	DATE
DRAWN	A.R.D.	10/14/14
Checked		
COMMENTS:		

Valve connects to the lower end of a boiler sight glass and allows the top and bottom shutoffs to be drained independently.

TITLE:		
Sight Glass Valve		
SIZE	DWG. NO.	REV
A	Assembly	
SCALE: 2:1	WEIGHT:	SHEET 1 OF 4

5

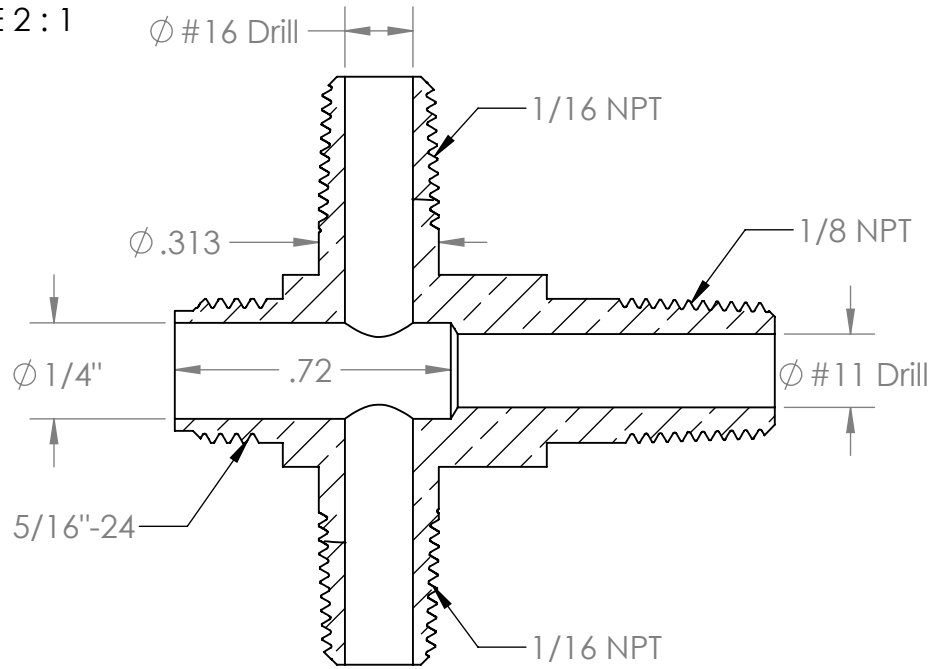
4

3

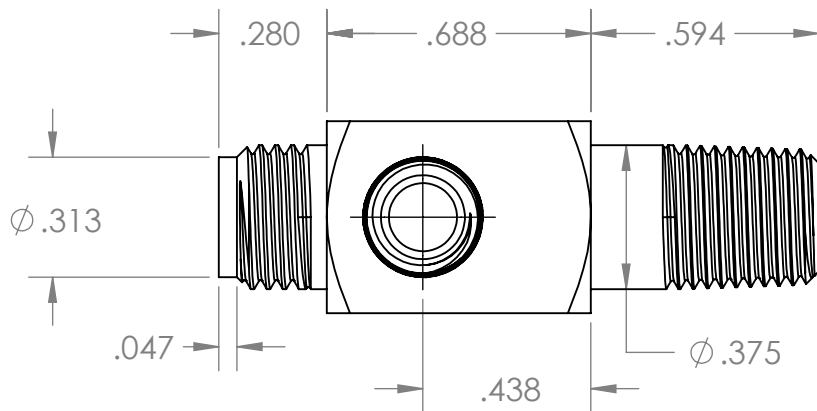
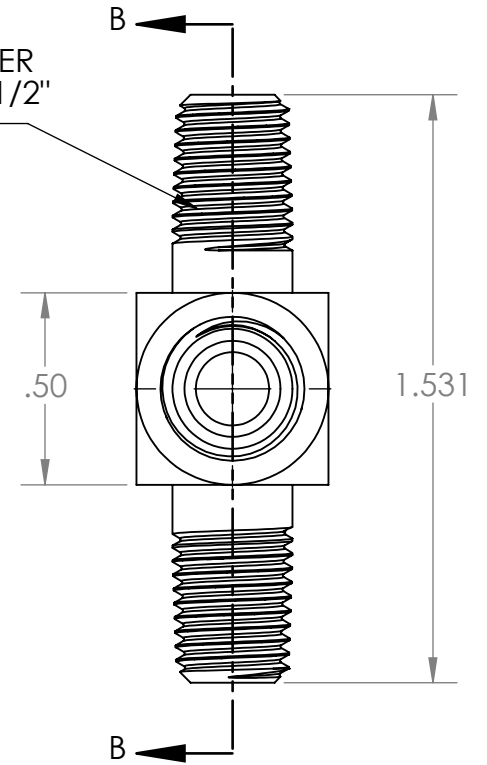
2

1

SECTION B-B
SCALE 2 : 1



5/16" ROD SILVER
SOLDERED TO 1/2"
BRASS STOCK



MATERIAL	BRASS
FINISH	N/A
DO NOT SCALE DRAWING	

	NAME	DATE
DRAWN	A.R.D.	10/14/14
CHECKED		
COMMENTS:		

TITLE:
Sight Glass Valve

SIZE	DWG. NO.	REV
A	Valve Body	

SCALE: 1:1	WEIGHT:	SHEET 2 OF 4
------------	---------	--------------

5

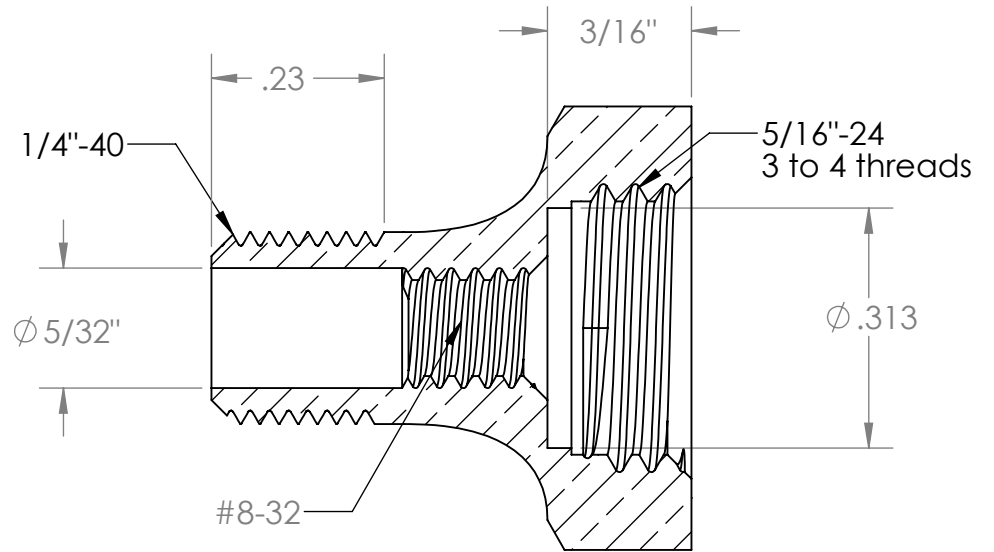
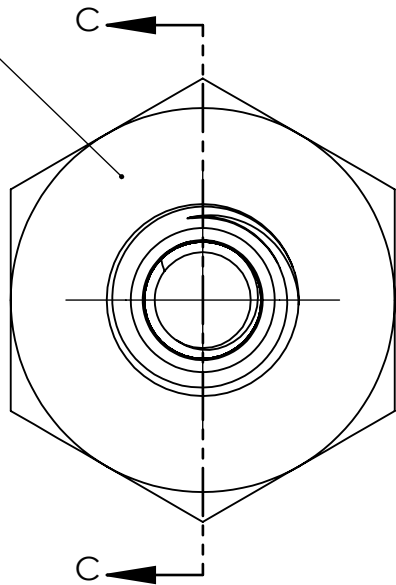
4

3

2

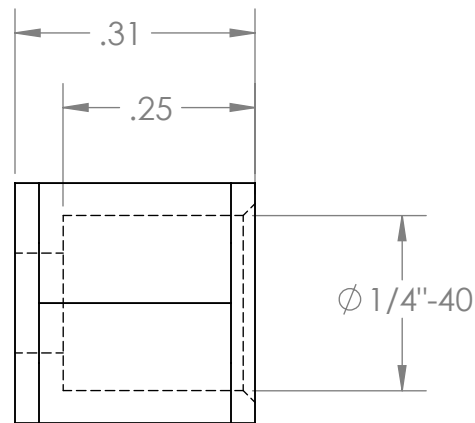
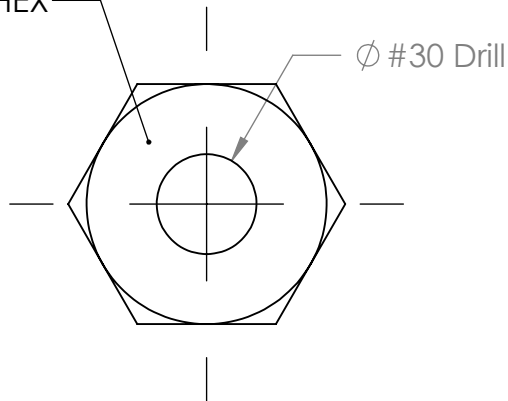
1

1/2" HEX



SECTION C-C
SCALE 4 : 1

5/16" HEX



TITLE:

Sight Glass Valve

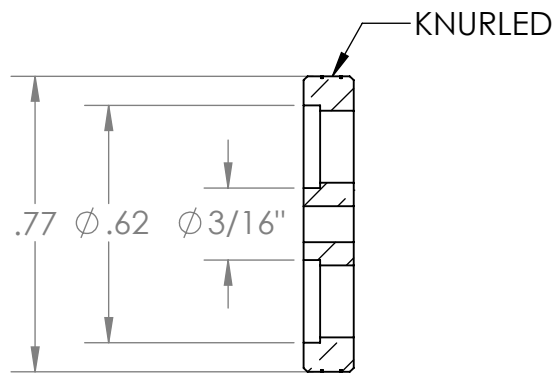
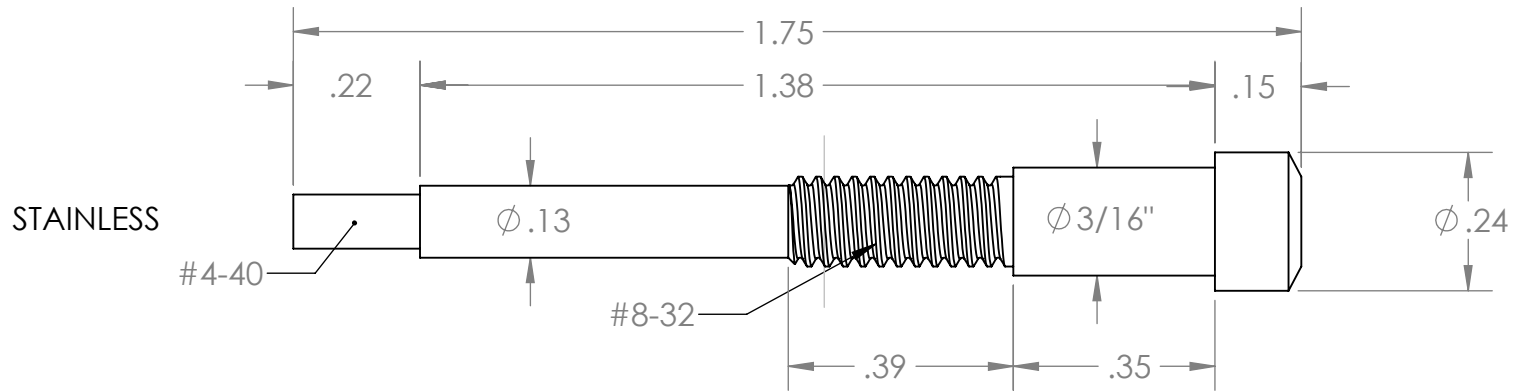
	NAME	DATE
DRAWN	A.R.D.	10/14/14
CHECKED		

COMMENTS:

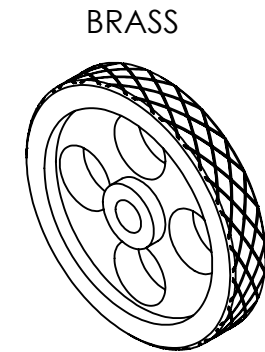
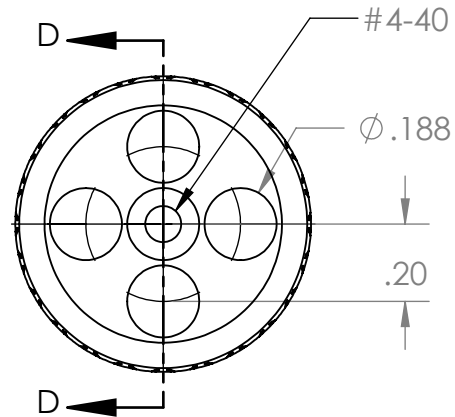
SIZE	DWG. NO.	REV
A	Bonnet & Nut	

MATERIAL	BRASS
FINISH	N/A
DO NOT SCALE DRAWING	

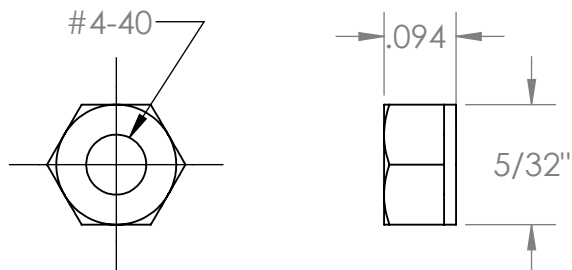
SCALE: 4:1	WEIGHT:	SHEET 3 OF 4
------------	---------	--------------



SECTION D-D
SCALE 2 : 1



5/32" STAINLESS HEX



MATERIAL	Brass & Stainless
FINISH	N/A
DO NOT SCALE DRAWING	

	NAME	DATE
DRAWN	A.R.D.	10/14/14
CHECKED		
COMMENTS:		

TITLE:		
Sight Glass Valve		
SIZE	DWG. NO.	REV
A	Spindle	
SCALE: N/A WEIGHT:		SHEET 4 OF 4